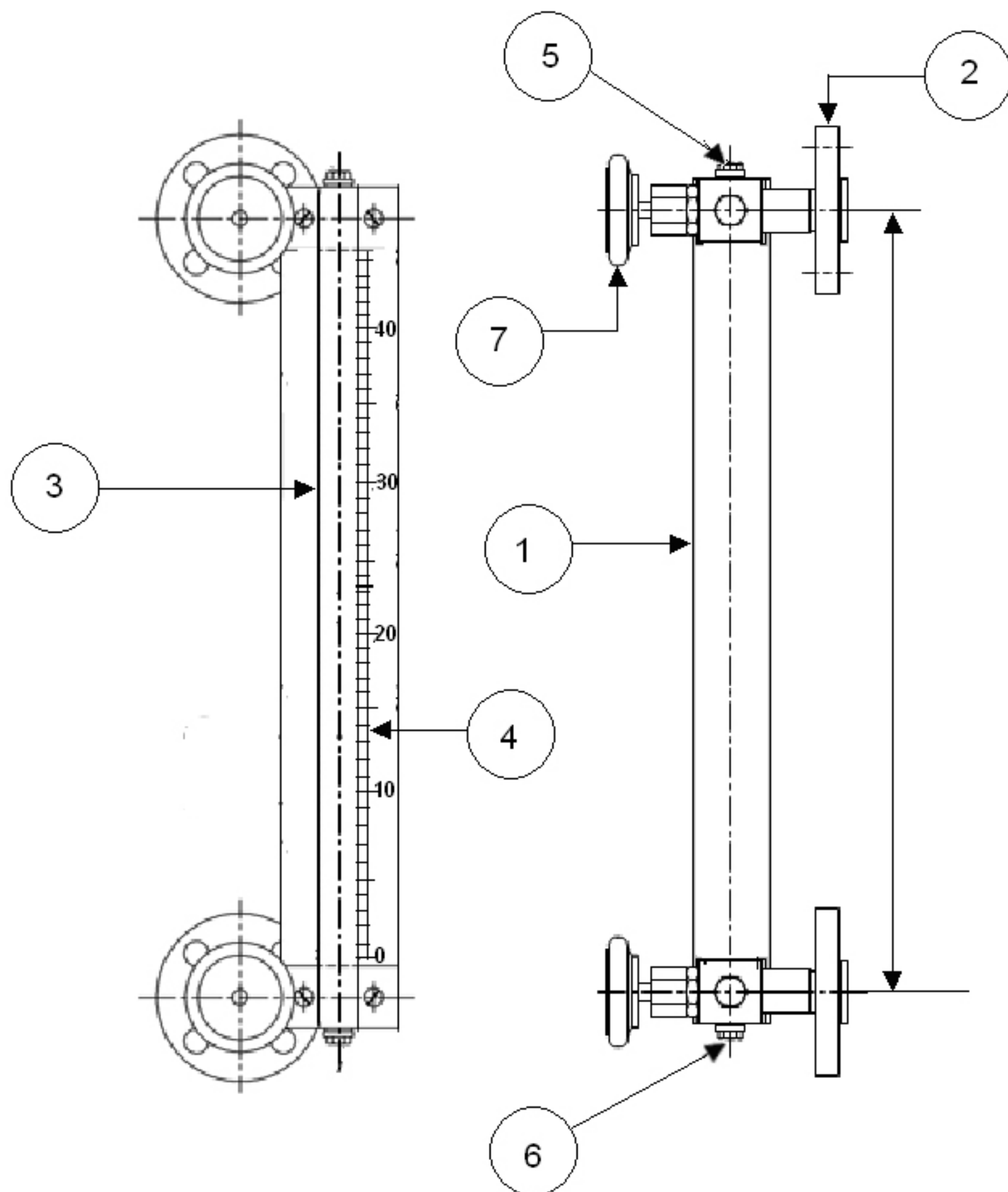


BILL OF MATERIAL		
S.No.	PART NAME	MATERIAL
1.	ISOLATION VALVE	MS/PP
2.	GLASS	BOROSILICATE
3.	SCALE	SS/PP
4.	FLANGE	MS/PP
5.	TIE ROD	MS/SS
6.	VENT / DRAIN PLUG	MS/SS/PP

<b>LEVSEN CONTROLS &amp; INSTRUMENTS</b> DELHI - INDIA TUBULAR LEVEL INDICATOR SERIES TLG-22	
DRG NO.	DT.
PROJECT	
CONSULTANT	
CUSTOMER	
P.O.No.	DT.
APPROVED BY	



BILL OF MATERIAL		
S.No.	PART NAME	MATERIAL
1.	'C' Frame	MS/SS-304/SS-316
2.	FLANGE	SS-304/316
3.	GLASS	BOROSILICATE
4.	SCALE	SS-304/SS-316/PP
5.	VENT PLUG	MS/SS-304/SS-316
6.	DRAIN PLUG	MS/SS-304/SS-316
7.	ISOLATION VALVE	MS/SS-304/SS-316

<b>LEVSEN CONTROLS &amp; INSTRUMENTS</b> DELHI - INDIA TUBULAR LEVEL INDICATOR SERIES TLG-22	
DRG NO.	DT.
PROJECT	
CONSULTANT	
CUSTOMER	
P.O.No.	DT.
APPROVED BY	